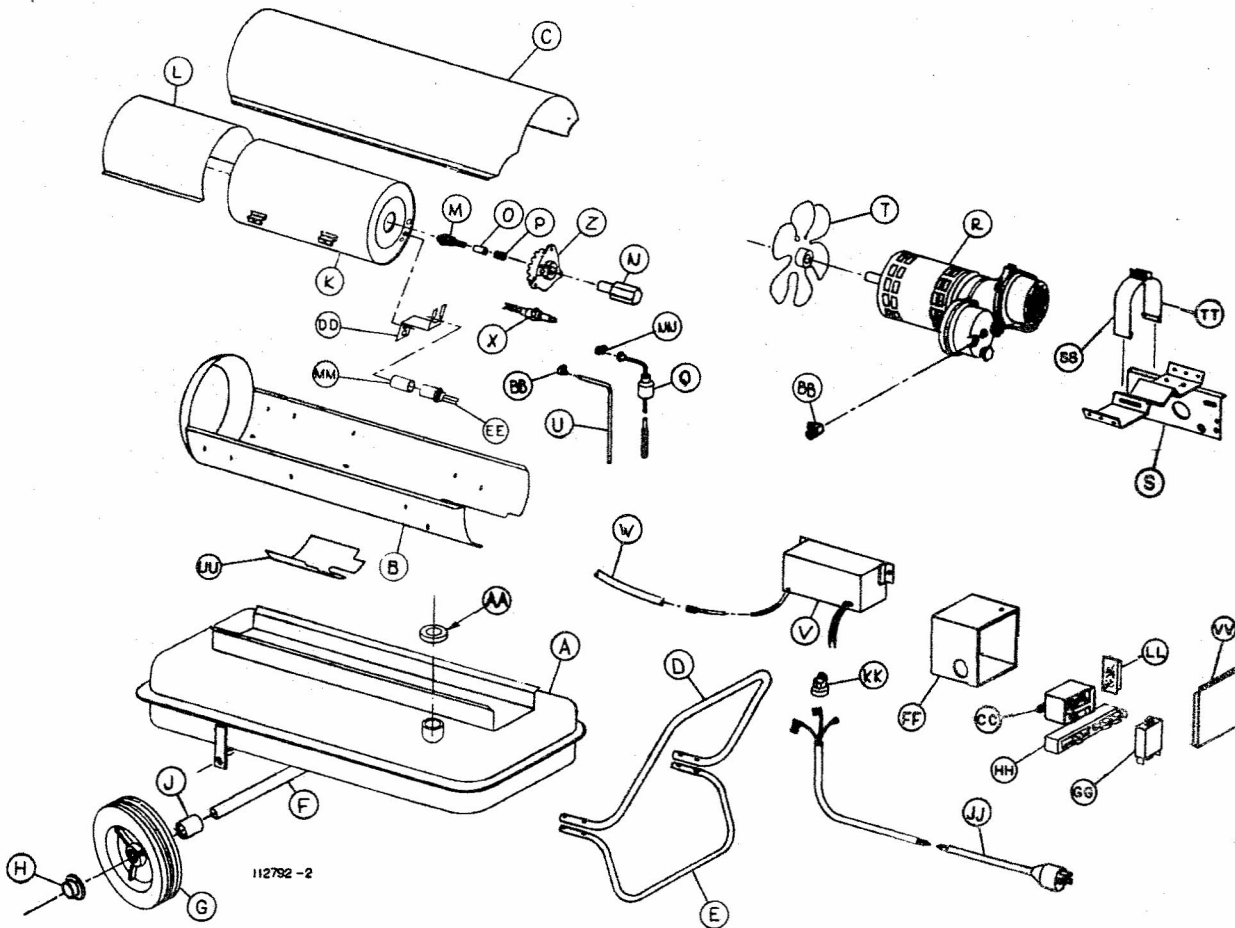


PORTABLE HEATER PARTS LIST

MODELS 5P-100, 5P-150

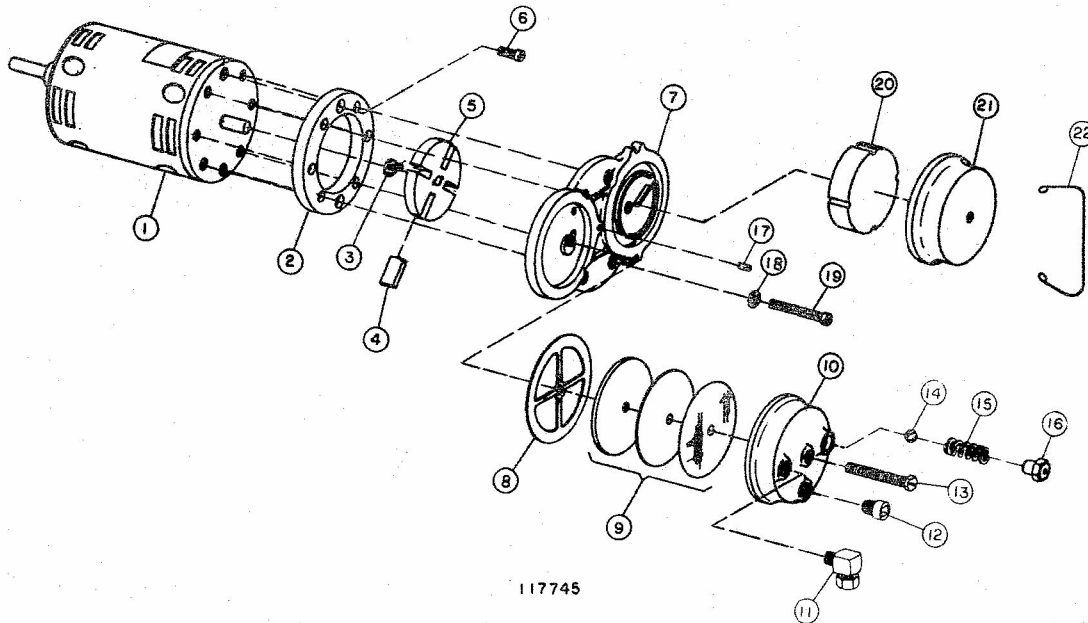


PARTS LIST

REF.	DESCRIPTION	MODEL 5P-100 PART NO.	MODEL 5P-150 PART NO.	REF.	DESCRIPTION	MODEL 5P-100 PART NO.	MODEL 5P-150 PART NO.
A	TANK ASSEMBLY	108944	109451	W	INSULATOR	109768	109768
B	JACKET BOTTOM AY.	110664	110666	X	SPARK PLUG	109063	109063
C	JACKET TOP	108932	109462	Z	BURNER	112287	112287
D	HANDLE	116974	116975	AA	FILL. CAP ROLLED THD.	116573	116573
E	FRONT SUPPORT	116976	116973	BB	1/4CC x 1/8IP ELBOW	060028	060028
F	AXLE	108961	109023	CC	RELAY	116641	112318
G	WHEEL	602934	602934	DD	BRKT. CELL MTG.	115942	115942
H	PUSH NUT	109020	109020	EE	CAD CELL	117028	117028
J	SPACER	061553	061553	FF	JUNCTION BOX AY.	108941	108941
K	COMBUSTION CHAMBER	109486	112469	GG	ETA	114581	114581
L	COMB. CHAMBER SHIELD		109611	HH	TERMINAL BLOCK	117672	117672
M	NOZZLE	109436	109437	JJ	CORD AY.	109002	109002
N	NOZZLE ADAPTER	109842	109842	KK	STRAIN RELIEF	061077	061077
O	NOZZLE SEAL	108983	108983	LL	P C BOARD	116454	116454
P	NOZZLE SEAL SPRING	108982	108982	MM	HOOD	115061	115061
Q	FUEL LIFT TUBE AY.	109858	109859	NN	1/4FL x 1/8IP ELBOW	060112	060112
R	MOTOR & COMPRESSOR AY	116646	110737	SS	STRAP AY.	116643	116961
S	MOTOR MOUNT	116642	117132	TT	STRAP	116644	116960
T	FAN	602914	603202	UU	COVER PLATE	110907	110907
U	AIR LINE	109853	109854	VV	COVER, JUNCTION BOX	108942	108942
V	IGNITION TRANSFORMER	110668	110668				

MOTOR & COMPRESSOR ASSEMBLY

115 VOLT @ 60 HERTZ



PARTS LIST

REF.	DESCRIPTION	116646	110737	QTY.
1	MOTOR	116505	116516	1
2	BODY RING	108964	109411	1
3	NYLON, INSERT	113104	113104	1
4	VANE	602912	604343	4
5	ROTOR	113102	113103	1
6	SCREW, #10-32 x 1/2 FIL	109259	109259	2
7	COMPRESSOR PLATE	113954	113954	1
8	GASKET	109479	109479	1
9	FILTER ASSEMBLY	116072	116072	1
10	OUTPUT AIR COVER	113180	113180	1
11	EL. 1/8 MNPT x 1/4 COM	060028	060028	1
12	PLUG	060815	060815	1
13	SCREW, 1/4-20 x 1-1/2	060950	060950	1
14	RELIEF BALL	602909	602909	1
15	RELIEF SPRING	602910	602910	1
16	ADJUSTING SCREW, 3/8-24 AL	602920	602920	1
17	GUIDE PIN	109609	109609	1
18	LOCK WASHER	060703	060703	6
19	SCREW, #10-32 x 1-1/4 FIL	060814	060814	6
20	FILTER ELEMENT	113952	113952	1
21	INLET AIR COVER	113953	113953	1
22	RETAINING CLIP	109620	109620	1