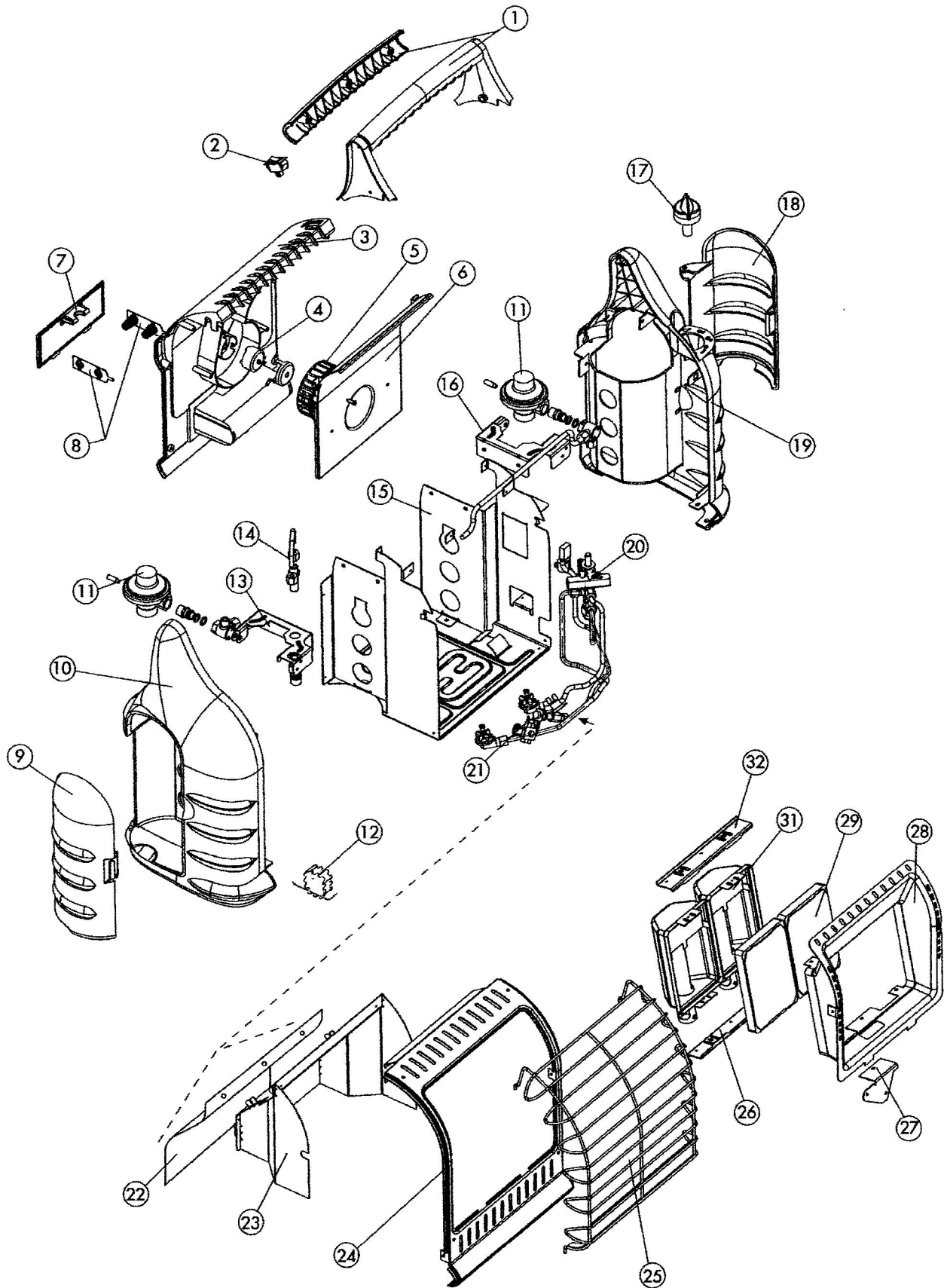


Mr. Heater • Big Buddy • Model # MH18B



## PARTSLIST:

### REF. # ITEM # DESCRIPTION

- 1 78402 HANDLE, ASSEMBLY, *GRAY*  
78441 HANDLE, ASSEMBLY, *BLACK*
- 2 78403 FAN, SWITCH
- 3 78442 BACK, FAN, COVER
- 4 78404 BACK PANEL ASSEMBLY (Includes parts 3, 5, 6, 7, and 8)
- 5 78406 FAN, BLOWER, WHEEL
- 6 78407 FAN, INTAKE, COVER
- 7 78408 DOOR, BATTERY, COVER, *GRAY*  
78443 DOOR, BATTERY, COVER, *BLACK*
- 8 78409 BATTERY, TERMINALS
- 9 78410 DOOR LEFT SIDE COVER, *GRAY*  
78444 DOOR LEFT SIDE COVER, *BLACK*
- 10 78411 LEFT, SIDE, COVER, *GRAY*  
78445 LEFT, SIDE, COVER, *BLACK*
- 11 78412 (2) REGULATORS, MH18B
- 12 78413 TIE, WRAPS
- 13 78414 BRACKET, LEFT, SIDE, REG,
- 14 78415 LEFT, SIDE, GAS, SUPPLY, LINE
- 15 78416 FRAME, ASSEMBLY
- 16 78417 BRACKET, RIGHT, SIDE, REG,
- 17 78418 KNOB, CONTROL, *RED*  
78512 KNOB, CONTROL, *GREEN*
- 18 78419 DOOR, RIGHT, SIDE, COVER, *GRAY*  
78446 DOOR, RIGHT, SIDE, COVER, *BLACK*
- 19 78420 RIGHT, SIDE, COVER, *GRAY*  
78447 RIGHT, SIDE, COVER, *BLACK*
- 20 78421 VALVE, CONTROL, ASSEMBLY
- 21 78422 PILOT, ASSEMBLY
- 22 78423 SHIELD, HEAT, BACK
- 23 78424 SHIELD, HEAT, FRONT
- 24 78425 COVER, FRONT, *RED*  
78448 COVER, FRONT, *YELLOW*  
78513 COVER, FRONT, *GREEN*
- 25 78426 GUARD, WIRE FACE  
78449 GUARD, WIRE FACE, *HD*
- 26 78427 BRACKET, BOTTOM, PLENUM, ASSEMBLY
- 27 78428 PILOT, BRACKET
- 28 78429 REFLECTOR
- 29 73439 TILE
- 30 73433 TILE, GASKET (NOT SHOWN)
- 31 78431 PLENUM, BODY
- 32 78432 BRACKET, TOP, PLENUM, ASSEMBLY
- 33 78436 Rubberfeet(4) notshown

### ACCESSORIES:

#### ITEM # DESCRIPTION

- F273701 5 ft. PROPANE HOSE ASSEMBLY (Swivel 1"-20 Male Throwaway Cyl. Thd. X P.O.L. w/Handwheel)
- F273702 12 ft. PROPANE HOSE ASSEMBLY (Swivel 1"-20 Male Throwaway Cyl. Thd. X P.O.L. w/Handwheel)
- F272702 12 ft. PROPANE HOSE ASSEMBLY (Swivel 1"-20 Male Throwaway Cyl. Thd. X P.O.L. w/Handwheel)
- F273699 Fuel Filter (Replace Annually)
- F271802 12 ft. PROPANE HOSE ASSEMBLY w/quick disconnect fittings and 3/8" female flare fitting
- F271803 12 ft. PROPANE HOSE ASSEMBLY w/quick disconnect fittings and 11" W.C. regulator w/Acme nut.