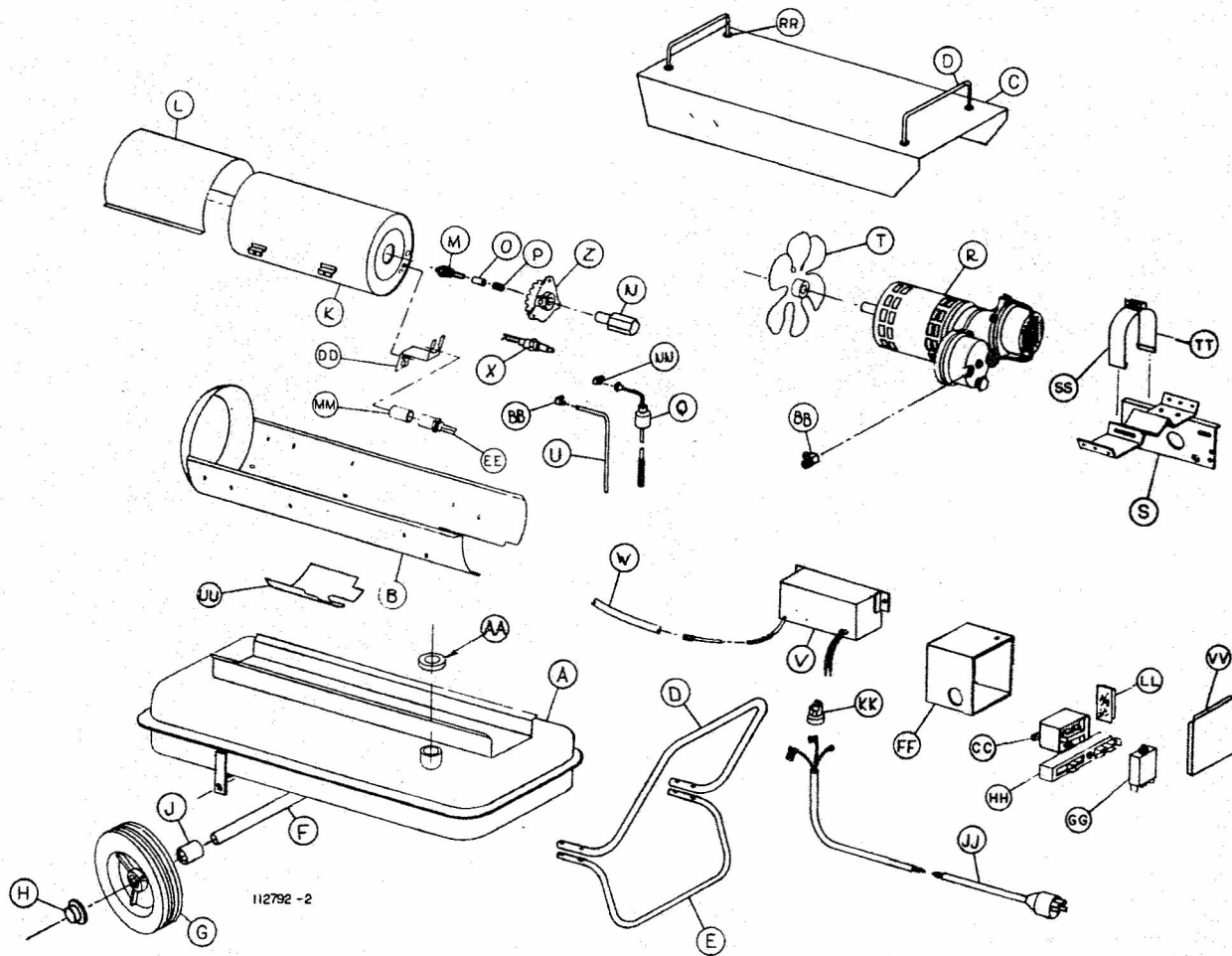


PORTABLE HEATER PARTS LIST

MODELS 60E-PLBS, 100E-PLBS, 160E-PLBS

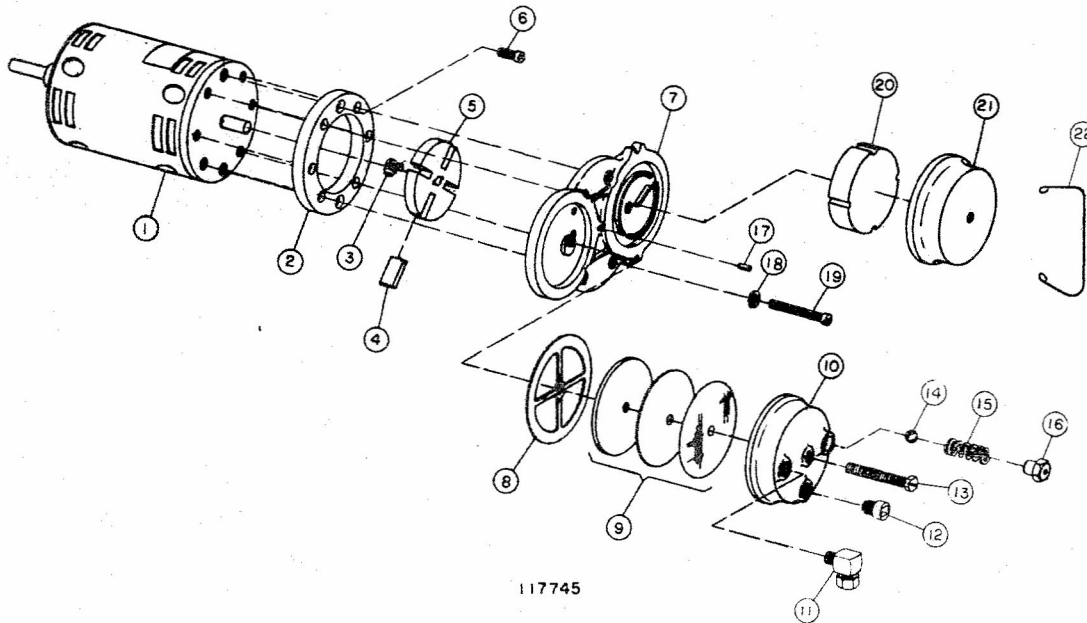


PARTS LIST

REF.	DESCRIPTION	MODEL 60E-PLBS PART NO.	MODEL 100E-PLBS PART NO.	MODEL 160E-PLBS PART NO.	REF.	DESCRIPTION	MODEL 60E-PLBS PART NO.	MODEL 100E-PLBS PART NO.	MODEL 160E-PLBS PART NO.
A	TANK ASSEMBLY	109828	108944	109451	W	INSULATOR	109768	109768	109768
B	JACKET BOTTOM AY.	110664	110664	110666	X	SPARK PLUG	109063	109063	109063
C	JACKET TOP AY.	111050	111050	111055	Z	BURNER	112288	112287	112287
D	HANDLE	110753	110753	110753	AA	FILLER CAP ROLLED THD	116573	116573	116573
E	FRONT SUPPORT	110844	110844	111048	BB	1/4CC x 1/8IP ELBOW	060028	060028	060028
F	AXLE	108961	108961	109023	CC	RELAY	116641	116641	112318
G	WHEEL	602934	602934	602934	DD	CAD CELL MTG.BRKT.	115942	115942	115942
H	PUSH NUT	109020	109020	109020	EE	CAD CELL	117028	117028	117028
J	SPACER	061553	061553	061553	FF	JUNCTION BOX AY.	108941	108941	108941
K	COMBUSTION CHAMBER	603494	109486	112469	GG	ETA	114581	114581	114581
L	COMB.CHAMBER COVER	111049	111049	111054	HH	TERMINAL BLOCK	117672	117672	117672
M	NOZZLE	109435	109436	109437	JJ	CORD ASSEMBLY	109002	109002	109002
N	NOZZLE ADAPTER	109842	109842	109842	KK	STRAIN RELIEF	061077	061077	061077
O	NOZZLE SEAL	108983	108983	108983	LL	P C BOARD	116454	116454	116454
P	NOZZLE SEAL SPRING	108982	108982	108982	MM	HOOD	115061	115061	115061
Q	FUEL LIFT TUBE AY.	109857	109858	109859	NN	1/4FLx1/8IP ELBOW	060112	060112	060112
R	MOTOR & COMP. AY.	116646	116646	110737	RR	NUT LOCK 7/16-20	110848	110848	110848
S	MOTOR MOUNT	116642	116642	117132	SS	STRAP ASSEMBLY	116643	116643	116643
T	FAN	602914	602914	603202	TT	STRAP	116644	116644	116644
U	AIR LINE	109852	109853	109854	UU	COVER PLATE	110907	110907	110907
V	IGNITION TRANSFORMER	110668	110668	110668	VV	COVER, JUNCTION BOX	108942	108942	108942

MOTOR & COMPRESSOR ASSEMBLY

115 VOLT @ 60 HERTZ



PARTS LIST

REF.	DESCRIPTION	116646	110737	QTY.
1	MOTOR	116505	116516	1
2	BODY RING	108964	109411	1
3	NYLON, INSERT	113104	113104	1
4	VANE	602912	604343	4
5	ROTOR	113102	113103	1
6	SCREW, #10-32 x 1/2 FIL	109259	109259	2
7	COMPRESSOR PLATE	113954	113954	1
8	GASKET	109479	109479	1
9	FILTER ASSEMBLY	116072	116072	1
10	OUTPUT AIR COVER	113180	113180	1
11	EL. 1/8 MNPT x 1/4 COM	060028	060028	1
12	PLUG	060815	060815	1
13	SCREW, 1/4-20 x 1-1/2	060950	060950	1
14	RELIEF BALL	602909	602909	1
15	RELIEF SPRING	602910	602910	1
16	ADJUSTING SCREW, 3/8-24 AL	602920	602920	1
17	GUIDE PIN	109609	109609	1
18	LOCK WASHER	060703	060703	6
19	SCREW, #10-32 x 1-1/4 FIL	060814	060814	6
20	FILTER ELEMENT	113952	113952	1
21	INLET AIR COVER	113953	113953	1
22	RETAINING CLIP	109620	109620	1